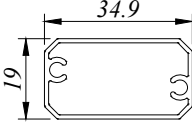
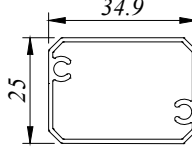
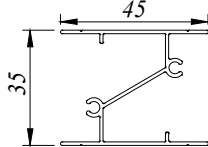
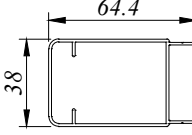
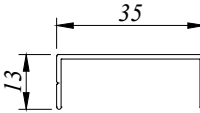
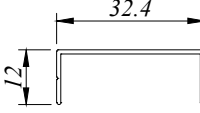
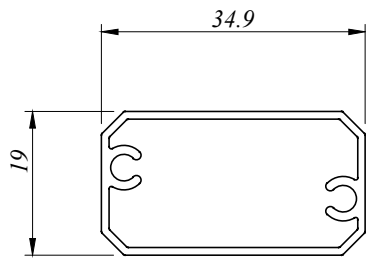


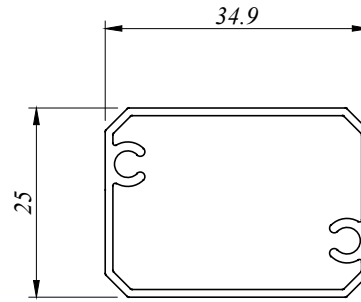
*- GRL -*  
***GRILLE***  
***88 SERIES***

| PROFILE NO. | PICTURE OF PROFILE  | WEIGHT (KG/M) | THICKNESS             | PACKING IN BUNDLE (PCS) |
|-------------|---|---------------|-----------------------|-------------------------|
|             |   |               | AREA PERIMETER        |                         |
| GRL 8801    |    | 0.336         | 1.00 MM<br>100.666 MM | 10                      |
| GRL 8802    |    | 0.369         | 1.00 MM<br>112.666 MM | 10                      |
| GRL 8803    |    | 0.457         | 1.00 MM<br>316.636 MM | 6                       |
| GRL 8804    |    | 0.693         | 1.20 MM<br>223.610 MM | 4                       |
| GRL 8805    |  | 0.163         | 1.00 MM<br>119.381 MM | 20                      |
| GRL 8806    |  | 0.151         | 1.00 MM<br>110.181 MM | 20                      |
|             |   |               |                       |                         |
|             |   |               |                       |                         |
|             |   |               |                       |                         |
|             |   |               |                       |                         |

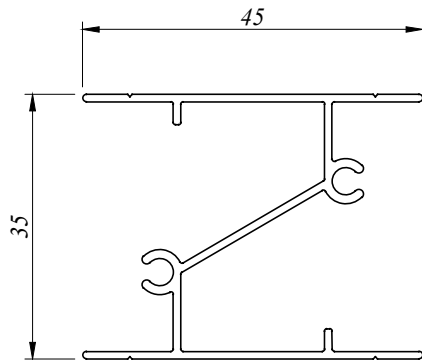
All Profiles are standard length 6.1 M for GRL Series Series



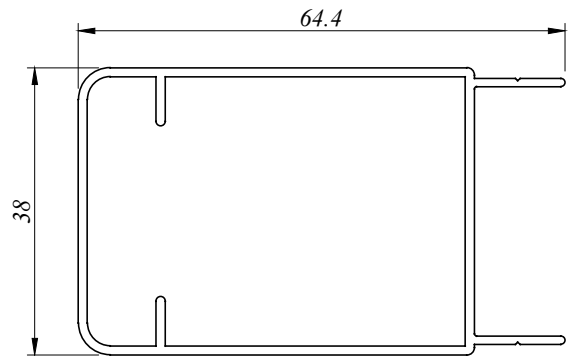
GRL 8801  
0.336 Kg/M  
AP : 100.666 MM



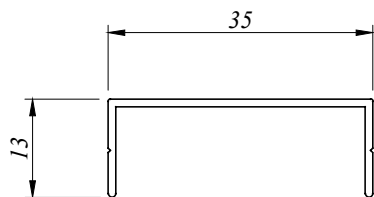
GRL 8802  
0.369 Kg/M  
AP : 112.666 MM



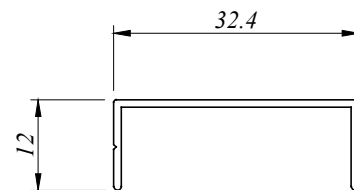
GRL 8803  
0.457 Kg/M  
AP : 316.636 MM



GRL 8804  
0.693 Kg/M  
AP : 223.610 MM



GRL 8805  
0.163 Kg/M  
AP : 119.381 MM



GRL 8806  
0.151 Kg/M  
AP : 110.181 MM



**BP Aluminium Extrusion Sdn. Bhd.**

No.15 & 16, 1C KKIP Selatan, Industrial Zone 2, KKIP,  
88450, Jalan Sepanggar, Menggatal.

t : 60-88-499333, 499111 f : 60-88-499222

b\_p\_a\_e@yahoo.com