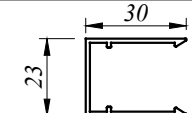
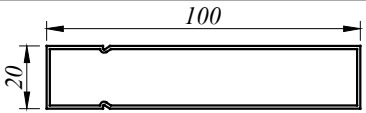
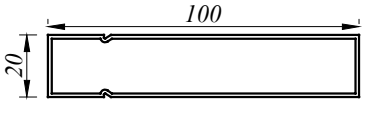
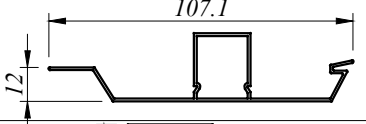
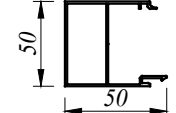
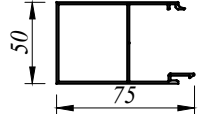
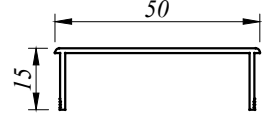
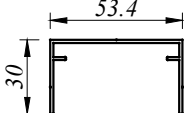
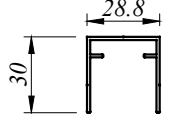
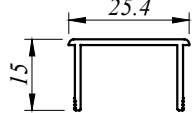
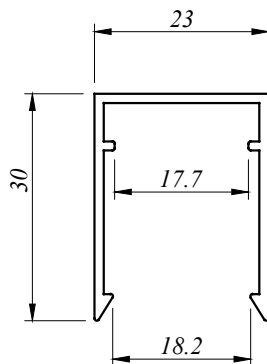


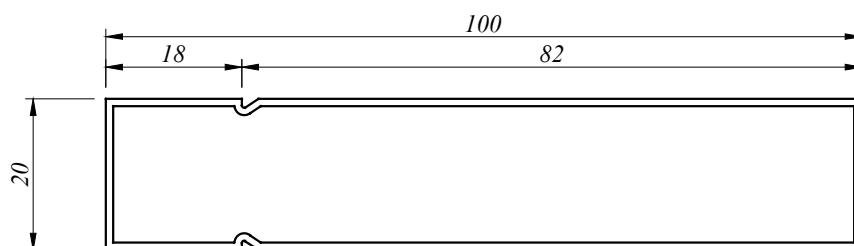
*AWC - Aluminium Wall
Ceiling
85 SERIES*

PROFILE NO.	PICTURE OF PROFILE	WEIGHT (KG/M)	THICKNESS	PACKING IN BUNDLE (PCS)
			AREA PERIMETER	
AWC 8501		0.277	1.20 MM 170.339 MM	8
AWC 8502		0.658	1.00 MM 242.855 MM	3
AWC 8502 H		0.796	1.20 MM 242.556 MM	3
AWC 8503		0.573	1.00 MM 311.583 MM	4
AWC 8504		0.766	1.20 MM 306.575 MM	8
AWC 8505		0.933	1.20 MM 367.675 MM	6
AWC 8506		0.260	1.20 MM 159.511 MM	10
AWC 8508		0.435	1.30 MM 243.348 MM	12
AWC 8511		0.346	1.30 MM 194.148 MM	12
AWC 8526		0.177	1.20 MM 109.769 MM	12

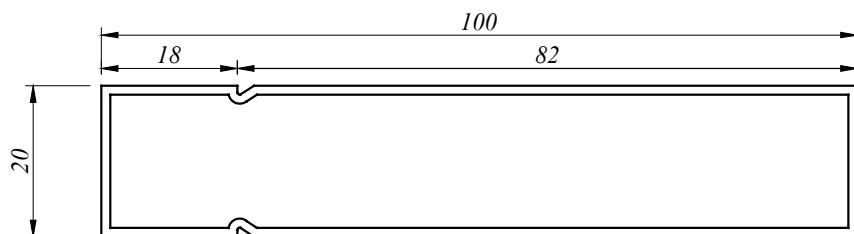
All Profiles are standard length 6.1 M for AWC Series



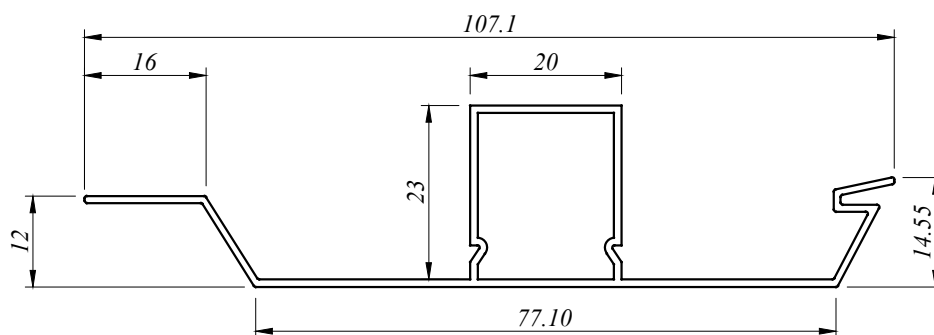
AWC 8501
0.277 Kg/M
AP : 170.339 MM



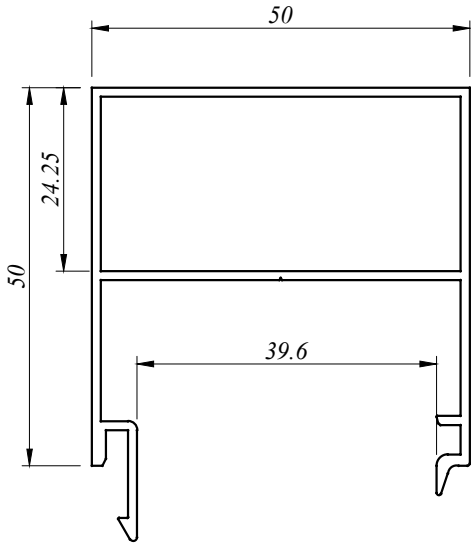
AWC 8502
0.658 Kg/M
AP : 242.855 MM



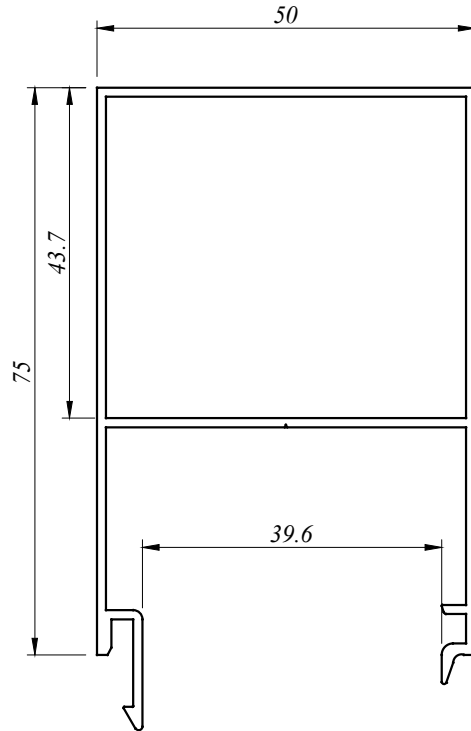
AWC 8502 H
0.796 Kg/M
AP : 242.856 MM



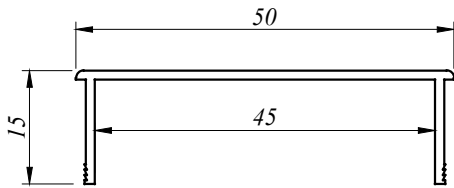
AWC 8503
0.573 Kg/M
AP : 311.583 MM



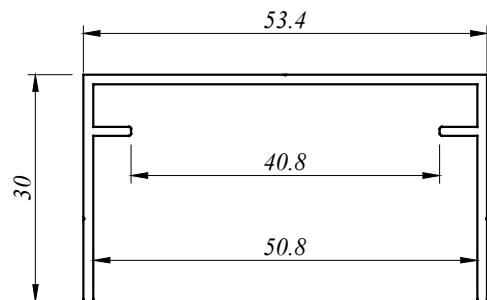
AWC 8504
0.766 Kg/M
AP : 306.575 MM



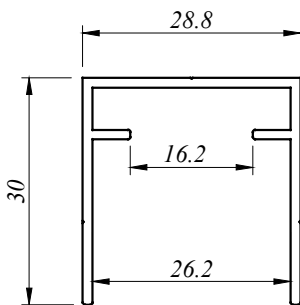
AWC 8505
0.933 Kg/M
AP : 367.675 MM



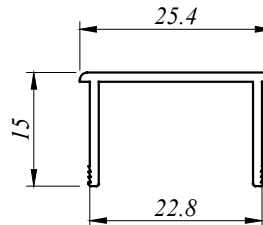
AWC 8506
0.260 Kg/M
AP : 159.511 MM



AWC 8508
0.435 Kg/M
AP : 243.348 MM



AWC 8511
0.346 Kg/M
AP : 194.148 MM



AWC 8526
0.177 Kg/M
AP : 109.769 MM

UPDATE : 14/09/22



BP Aluminium Extrusion Sdn. Bhd.

No.15 & 16, 1C KKIP Selatan, Industrial Zone 2, KKIP,
88450, Jalan Sepanggar, Menggatal.

t : 60-88-499333, 499111 f : 60-88-499222

b_p_a_e@yahoo.com