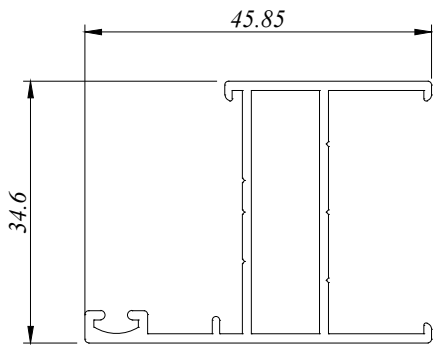


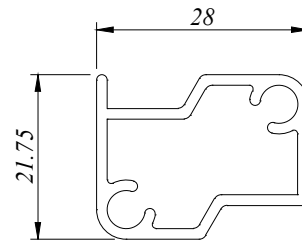
MCW - M Casement Window
9 SERIES

| PROFILE NO. | PICTURE OF PROFILE | WEIGHT (KG/M) | THICKNESS | PACKING IN BUNDLE (PCS) |
|-------------|--------------------|---------------|-----------------------|-------------------------|
| | | | AREA PERIMETER | |
| MCW 91010 | | 0.500 | 1.20 MM 219.778 MM | 4 |
| MCW 92006 | | 0.410 | 1.40 MM 100.068 MM | 4 |
| MCW 92010 | | 0.856 | 1.20 MM 328.452 MM | 6 |
| MCW 92020 | | 0.790 | 1.30 MM 460.344 MM | 4 |
| MCW 92020 J | | 0.849 | 1.30 MM 240.857 MM | 4 |
| MCW 92021 H | | 0.697 | 1.20MM 236.152 MM | 4 |
| MCW 92022 | | 0.800 | 1.20MM 243.219 MM | 4 |
| MCW 92030 | | 0.705 | 1.30 MM 254.774 MM | 4 |
| MCW 92031 | | 1.088 | 1.30 MM 331.145 MM | 4 |
| MCW 92040 | | 0.245 | 1.20 MM 152.519 MM | 8 |
| MCW 92042 | | 0.102 | 1.00 MM 71.054 MM | 40 |
| | | | | |
| | | | | |

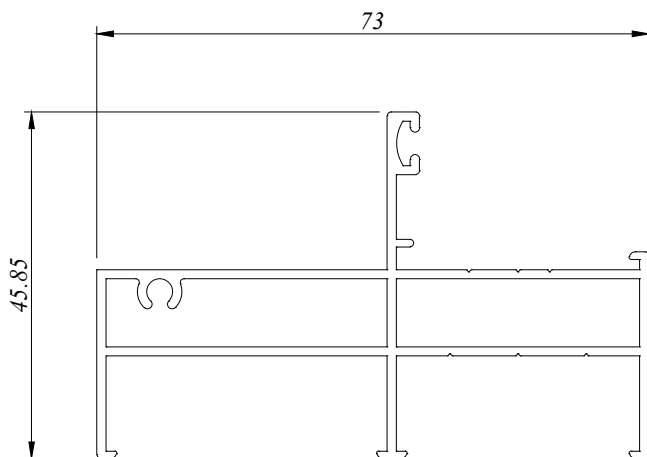
All Profiles are standard length 6.1 M for MCW Series



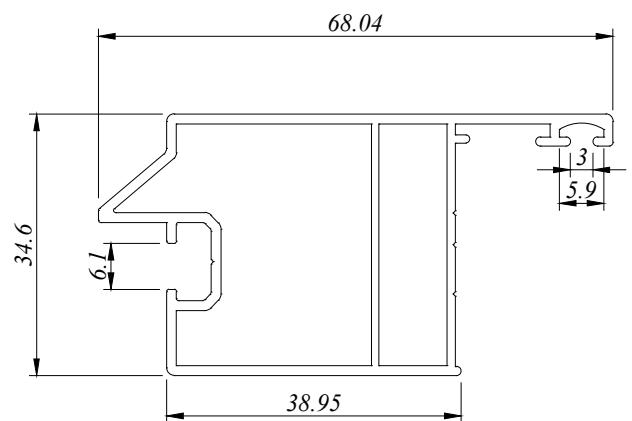
MCW 91010
0.500 Kg/M
AP : 219.778 MM



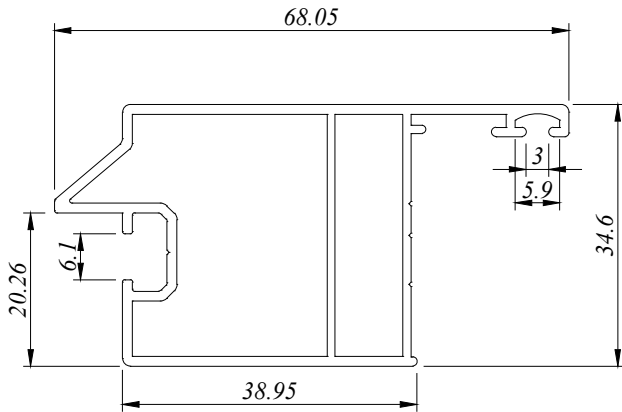
MCW 92006
0.410 Kg/M
AP : 100.068 MM



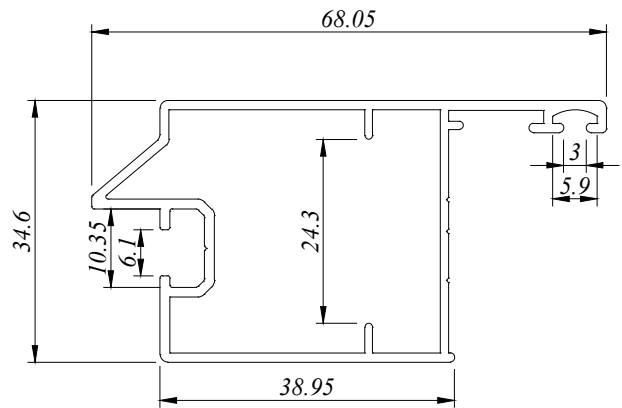
MCW 92010
0.856 Kg/M
AP : 328.452 MM



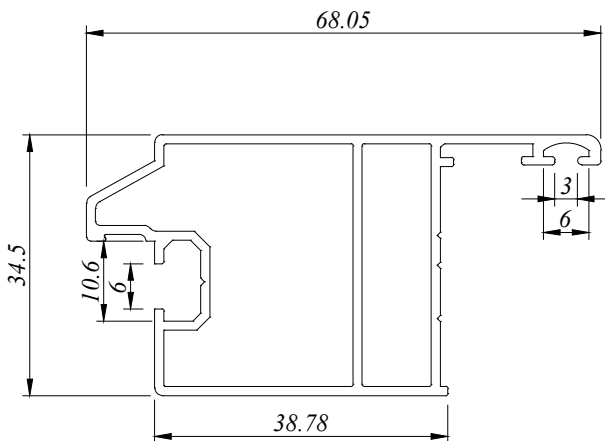
MCW 92020
0.790 Kg/M
AP : 460.344 MM



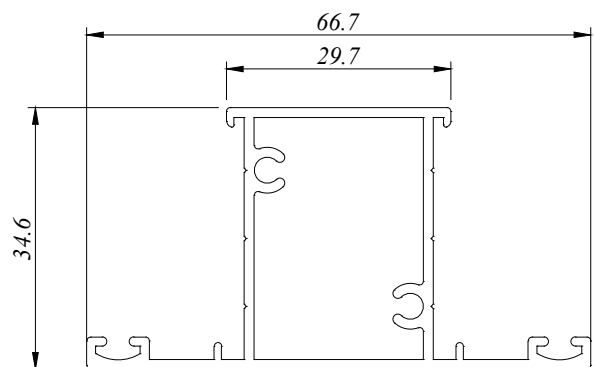
MCW 92020 J
0.849 Kg/M
AP : 240.857 MM



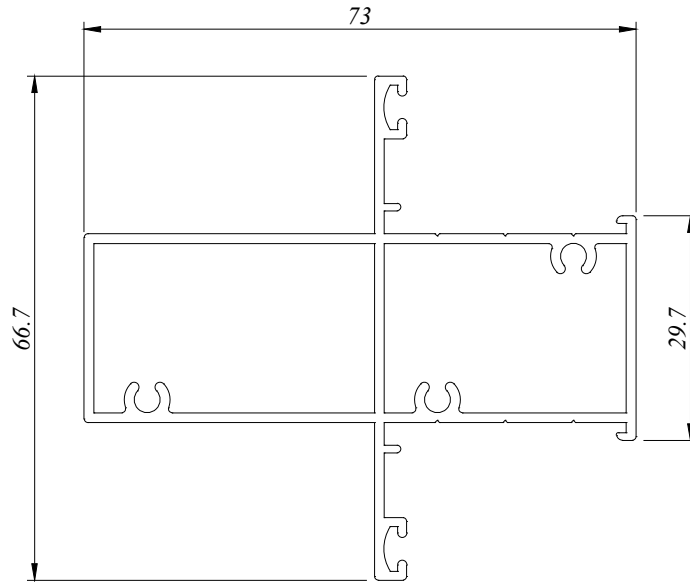
MCW 92021 H
0.697 Kg/M
AP : 236.152 MM



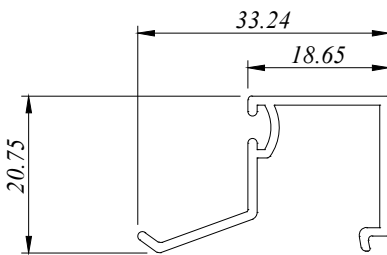
MCW 92022
0.800 Kg/M
AP : 243.219 MM



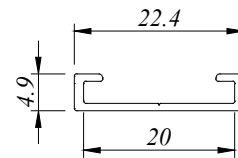
MCW 92030
0.705 Kg/M
AP : 254.774 MM



MCW 92031
1.088 Kg/M
AP : 331.145 MM



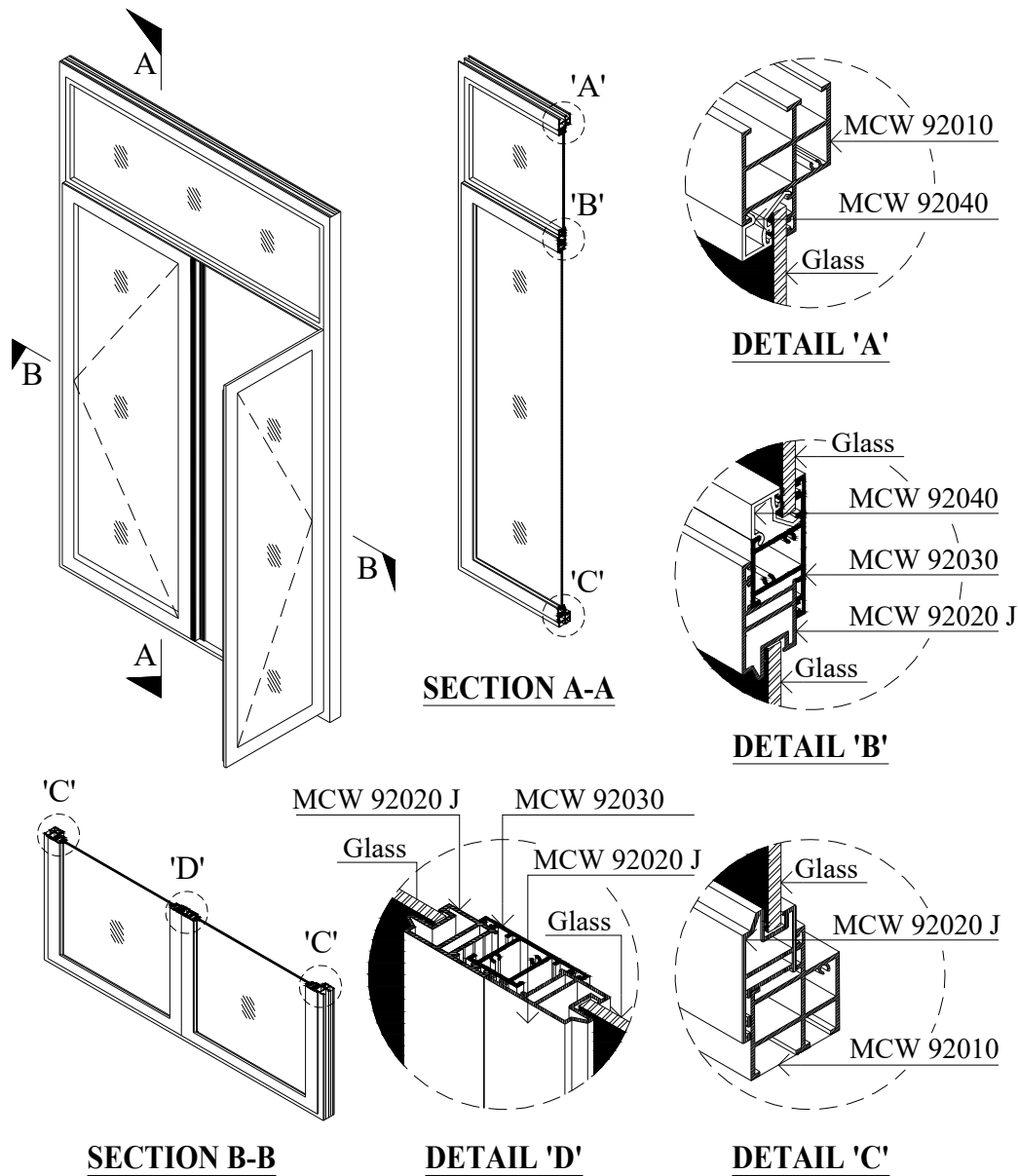
MCW 92040
0.245 Kg/M
AP : 152.519 MM



MCW 92042
0.102 Kg/M
AP : 71.054 MM

aluminium profiles component usage

M Casement Window - MCW9 Series



BP Aluminium Extrusion Sdn. Bhd.

No.15 & 16, 1C KKIP Selatan, Industrial Zone 2, KKIP,
88450, Jalan Sepanggar, Menggatal.

t : 60-88-499333, 499111 f : 60-88-499222

b_p_a_e@yahoo.com