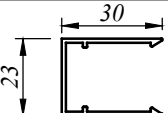
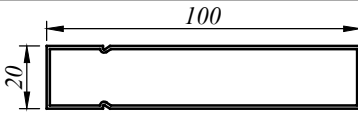
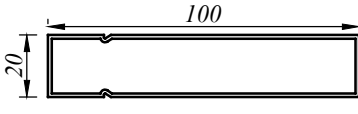
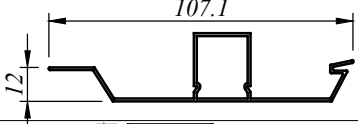
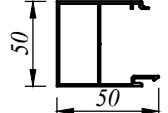
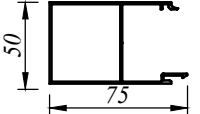
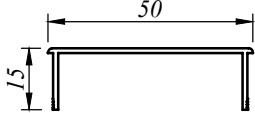
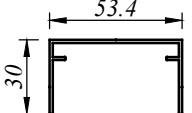
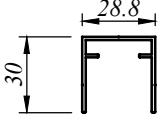
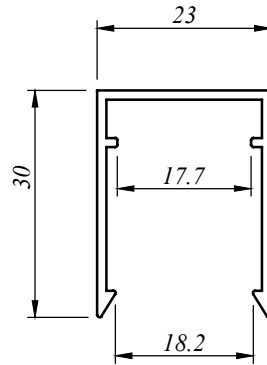


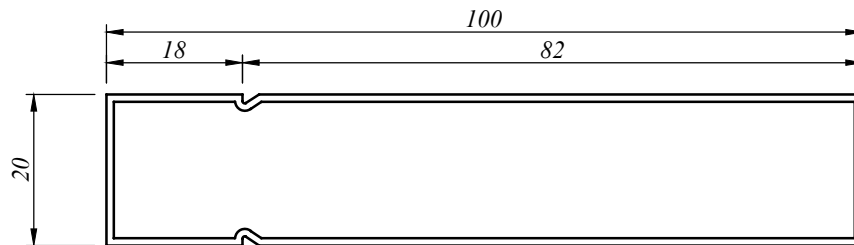
*AWC - Aluminium Wall
Ceiling
85 SERIES*

PROFILE NO.	PICTURE OF PROFILE	WEIGHT (KG/M)	THICKNESS	PACKING IN BUNDLE (PCS)
			AREA PERIMETER	
AWC 8501		0.277	1.20 MM 170.339 MM	8
AWC 8502		0.658	1.00 MM 242.855 MM	3
AWC 8502 H		0.796	1.20 MM 242.556 MM	3
AWC 8503		0.573	1.00 MM 311.583 MM	4
AWC 8504		0.766	1.20 MM 306.575 MM	8
AWC 8505		0.933	1.20 MM 367.675 MM	6
AWC 8506		0.260	1.20 MM 159.511 MM	10
AWC 8508		0.435	1.30 MM 243.348 MM	12
AWC 8511		0.346	1.30 MM 194.148 MM	12

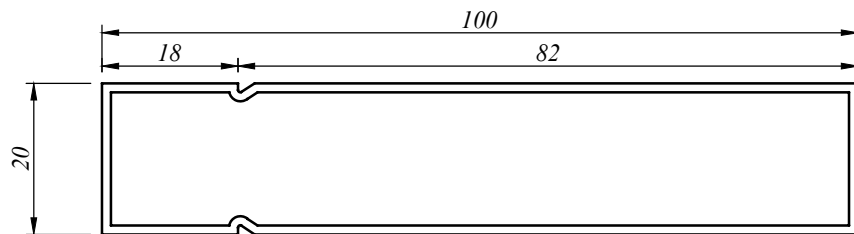
All Profiles are standard length 6.1 M for AWC Series



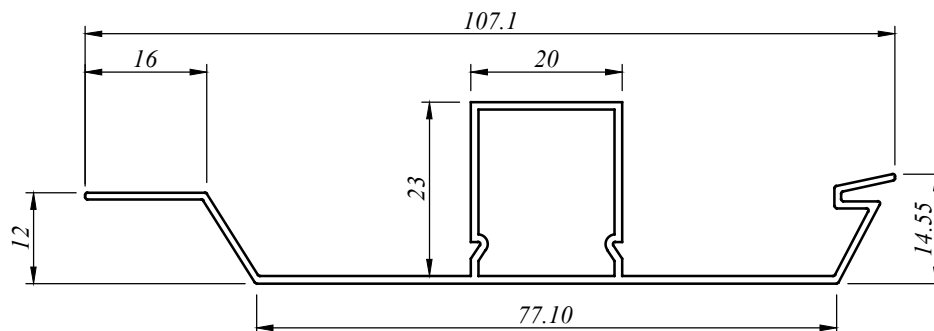
AWC 8501
0.277 Kg/M
AP : 170.339 MM



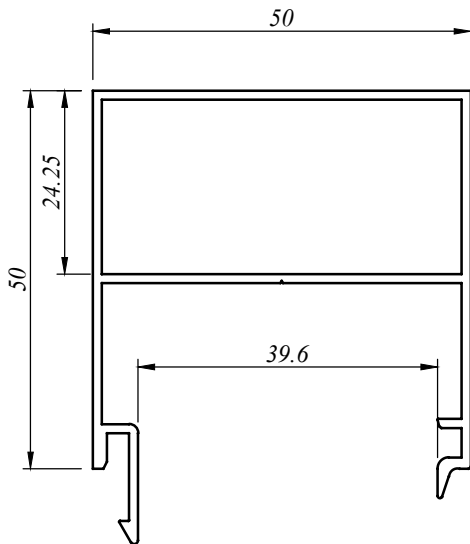
AWC 8502
0.658 Kg/M
AP : 242.855 MM



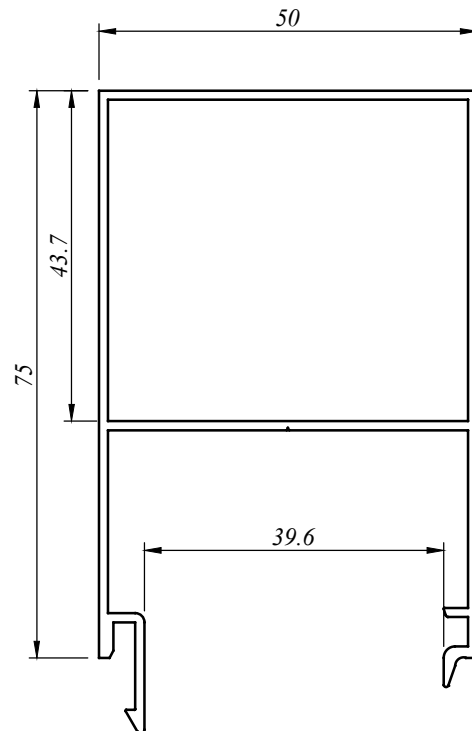
AWC 8502 H
0.796 Kg/M
AP : 242.856 MM



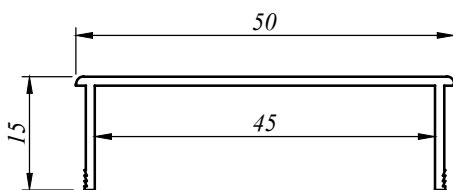
AWC 8503
0.573 Kg/M
AP : 311.583 MM



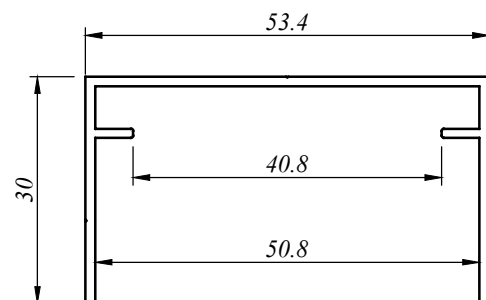
AWC 8504
0.766 Kg/M
AP : 306.575 MM



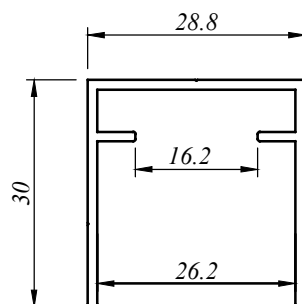
AWC 8505
0.933 Kg/M
AP : 367.675 MM



AWC 8506
0.260 Kg/M
AP : 159.511 MM



AWC 8508
0.435 Kg/M
AP : 243.348 MM



AWC 8511
0.346 Kg/M
AP : 194.148 MM



BP Aluminium Extrusion Sdn. Bhd.

No.15 & 16, 1C KKIP Selatan, Industrial Zone 2, KKIP,
88450, Jalan Sepanggar, Menggatal.

t : 60-88-499333, 499111 f : 60-88-499222

b_p_a_e@yahoo.com