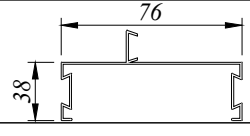
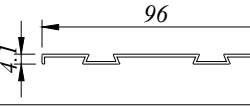
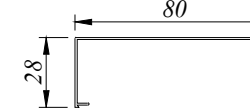
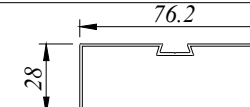
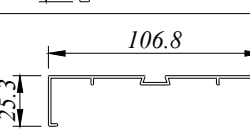
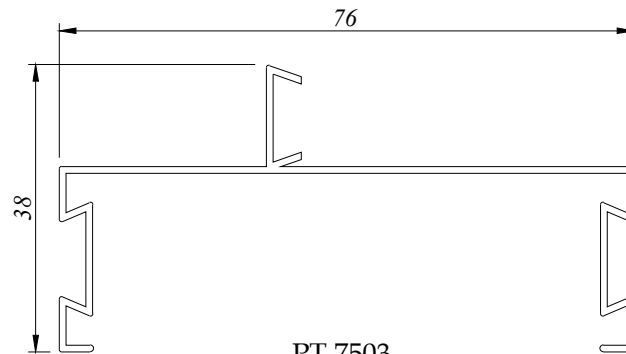


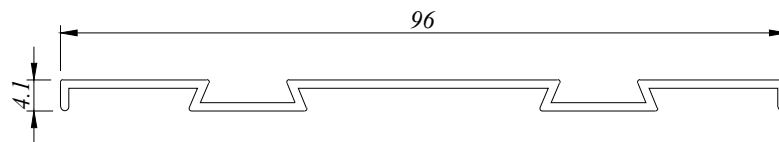
PT - Partition
75/76 SERIES

PROFILE NO.	PICTURE OF PROFILE	WEIGHT (KG/M)	THICKNESS	PACKING IN BUNDLE (PCS)
			AREA PERIMETER	
PT 7503		0.471	0.90 MM 341.682 MM	4
PT 7507		0.365	1.10 MM 238.665 MM	10
PT 7601		0.388	0.90 MM 289.510 MM	6
PT 7603		0.398	0.95 MM 290.694 MM	8
PT 7610		0.626	1.30 MM 352.680 MM	6

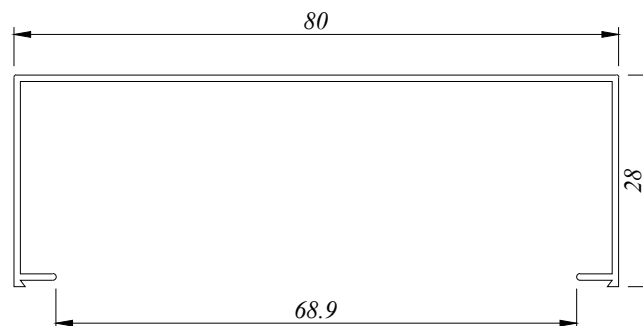
All Profiles are standard length 6.1 M for PT Series except for PT 7503 which have 5.34M



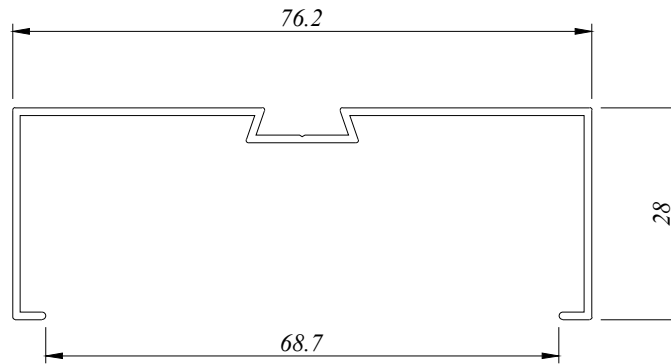
PT 7503
0.471 Kg/M
AP : 341.682 MM



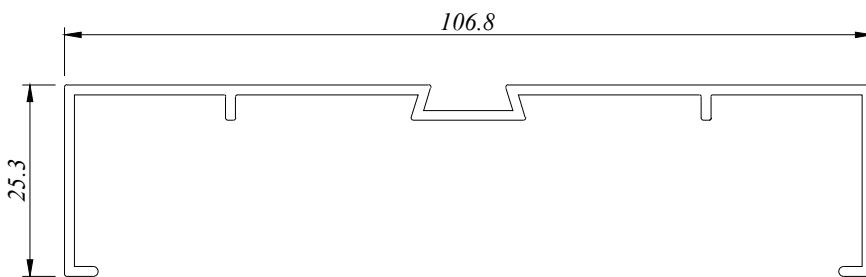
PT 7507
0.365 Kg/M
AP : 238.665 MM



PT 7601
0.388 Kg/M
AP : 289.510 MM



PT 7603
0.398 Kg/M
AP : 290.694 MM



PT 7610
0.626 Kg/M
AP : 352.680 MM



BP Aluminium Extrusion Sdn. Bhd.

**No.15 & 16, 1C KKIP Selatan, Industrial Zone 2, KKIP,
88450, Jalan Sepanggar, Menggatal.**

t : 60-88-499333, 499111 f : 60-88-499222

b_p_a_e@yahoo.com