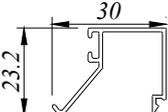
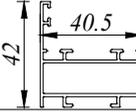
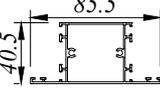
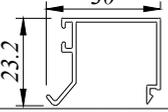
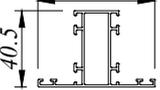
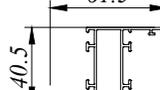
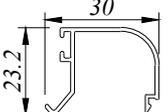
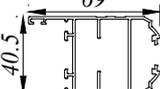
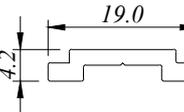
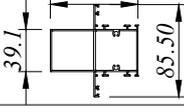


ACW - Casement Window

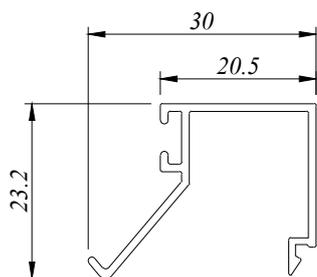
383 SERIES

PROFILE NO.	PICTURE OF PROFILE	WEIGHT (KG/M)	THICKNESS	PACKING IN BUNDLE (PCS)
			AREA PERIMETER	
ACW 3830		0.222	1.00 MM 159.031 MM	20
ACW 3831		0.593	1.20 MM 258.073 MM	8
ACW 3832		0.933	1.20 MM 372.782 MM	4
ACW 3833		0.225	1.00 MM 166.045 MM	24
ACW 3834		0.704	1.20 MM 324.782 MM	6
ACW 3835		0.703	1.20 MM 324.733 MM	4
ACW 3836		0.214	1.00 MM 158.148 MM	20
ACW 3837		0.930	1.30 MM 353.994 MM	4
ACW 3838		0.140	2.10 MM 49.432 MM	20
ACW 3839		1.373	1.20 MM 452.267 MM	2

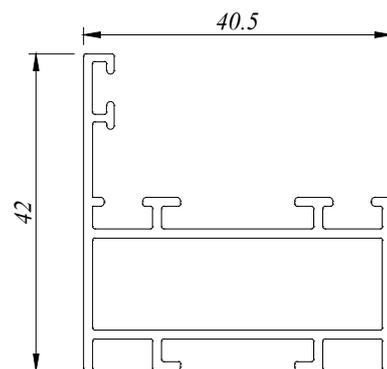
All Profiles are standard length 6.1 M for ACW Series

ACW - Casement Window

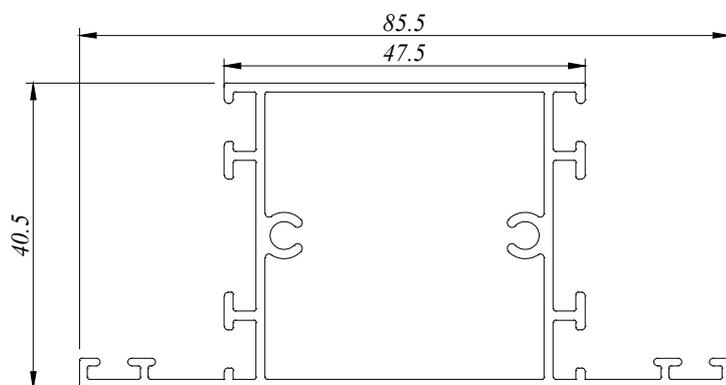
383 SERIES



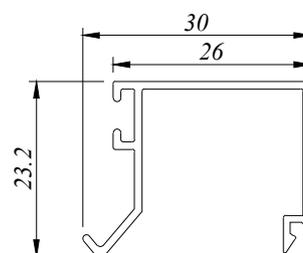
ACW 3830
0.222 Kg/M
AP : 159.031 MM



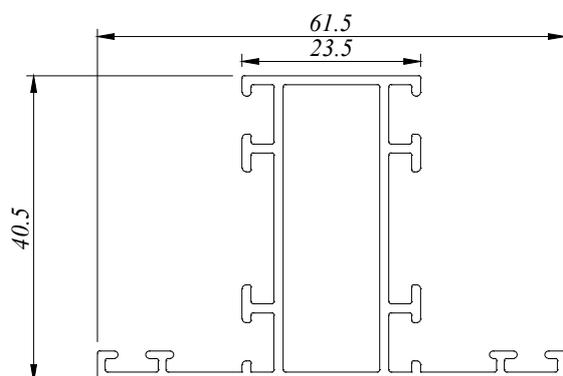
ACW 3831
0.593 Kg/M
AP : 258.073 MM



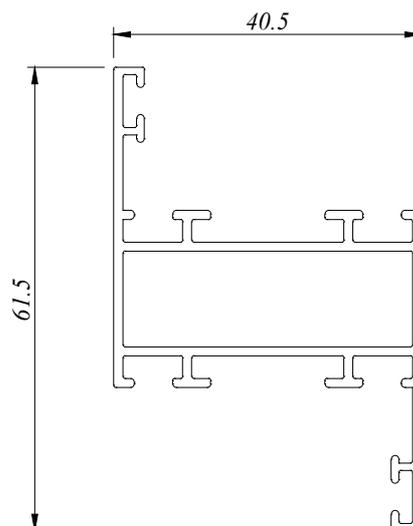
ACW 3832
0.933 Kg/M
AP : 372.782 MM



ACW 3833
0.225 Kg/M
AP : 166.045 MM



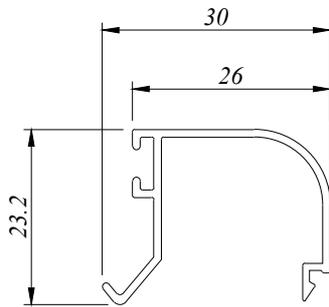
ACW 3834
0.704 Kg/M
AP : 324.782 MM



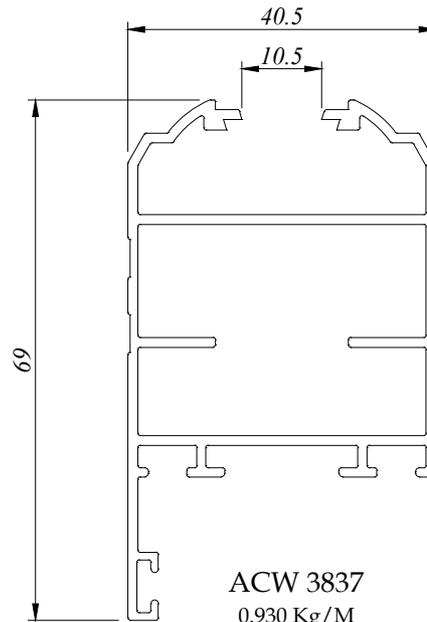
ACW 3835
0.703 Kg/M
AP : 324.733 MM

we made aluminium into shapes ...

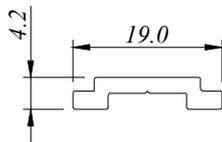
profile information



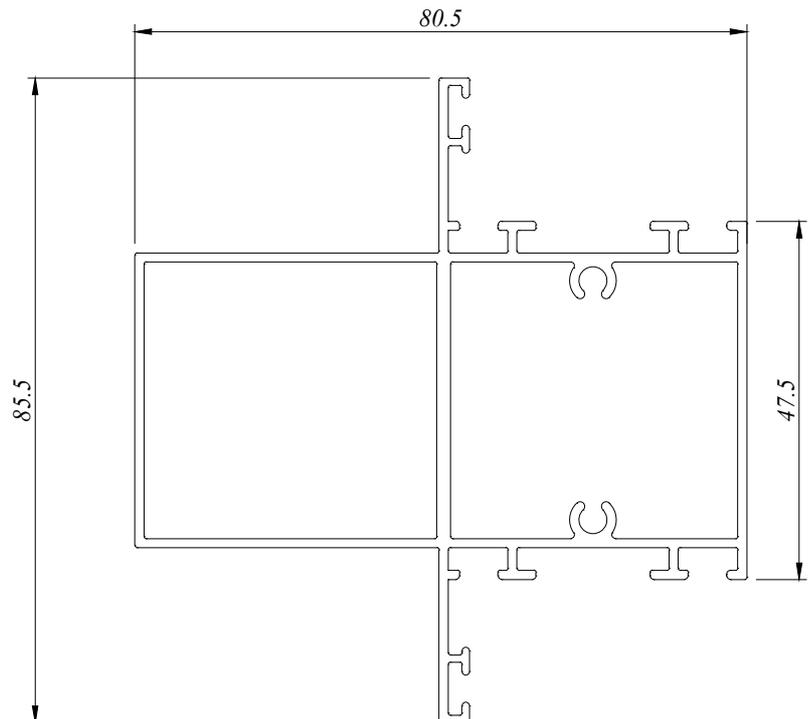
ACW 3836
0.214 Kg/M
AP : 158.148 MM



ACW 3837
0.930 Kg/M
AP : 353.994 MM



ACW 3838
0.140 Kg/M
AP : 49.432 MM



ACW 3839
1.373 Kg/M
AP : 452.267 MM



BP Aluminium Extrusion Sdn. Bhd.

**No.15 & 16, 1C KKIP Selatan, Industrial Zone 2, KKIP,
88450, Jalan Sepanggar, Menggatal.**

t : 60-88-499333, 499111 f : 60-88-499222

b_p_a_e@yahoo.com