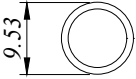
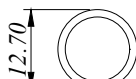
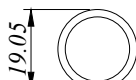
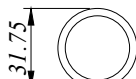
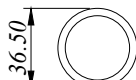
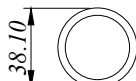
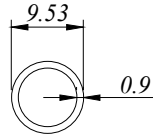


RT - ROUND TUBE

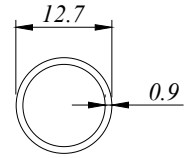
14 SERIES

PROFILE	PICTURE OF PROFILE	WEIGHT (KG/M)	THICKNESS	PACKING IN BUNDLE (PCS)
			AREA PERIMETER	
RT 140309		0.066	0.90 MM 29.939 MM	20
RT 140409		0.100	0.90 MM 39.898 MM	20
RT 140608		0.153	0.80 MM 59.847 MM	10
RT 141015		0.386	1.50 MM 99.746 MM	6
RT 141106		0.189	0.60 MM 114.668 MM	6
RT 141215		0.467	1.50 MM 119.695 MM	6

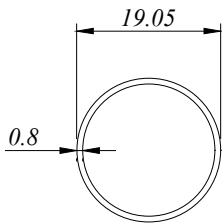
All Profiles are standard length 6.1 M for RT Series



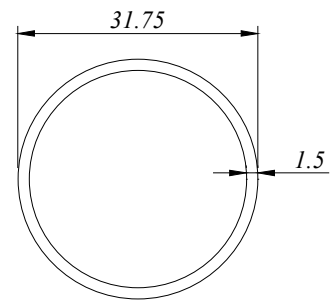
RT 140309
0.066 Kg/M
AP : 29.939 MM



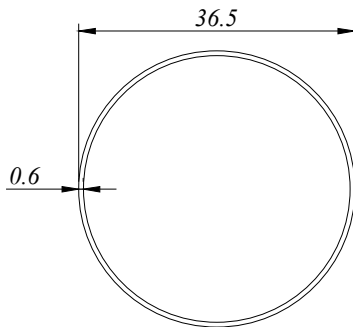
RT 140409
0.100 Kg/M
AP : 39.898 MM



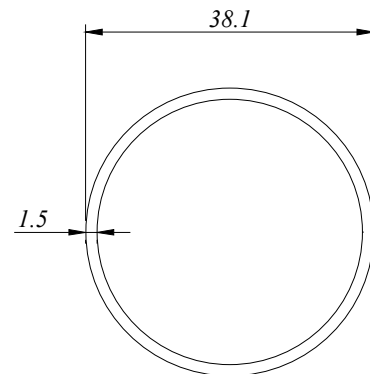
RT 140608
0.153 Kg/M
AP : 59.847 MM



RT 141015
0.386 Kg/M
AP : 99.746 MM



RT 141106
0.189 Kg/M
AP : 114.668 MM



RT 141215
0.467 Kg/M
AP : 119.695 MM



BP Aluminium Extrusion Sdn. Bhd.

No.15 & 16, 1C KKIP Selatan, Industrial Zone 2, KKIP,
88450, Jalan Sepanggar, Menggatal.
t : 60-88-499333, 499111 f : 60-88-499222
b_p_a_e@yahoo.com